



Storm Drain Art Contest

The Alachua County Environmental Protection Department is hosting its first ever Storm Drain Art Contest! The purpose of this contest is to increase awareness of local water quality issues, specifically stormwater pollution, while showcasing public art.

Eligibility

Art submission is open to all Alachua County residents ages 16 and up. If you are not a permanent resident of Alachua County (e.g., a college student) or reside in a neighboring county (Gilchrist, Marion, Levy, etc.) but have a strong connection to Alachua County's water resources, you are still eligible to enter.

Design

Designs should address **one** or more of the following topics/messages in a creative way:

- ❖ Storm drains carry stormwater runoff into local creeks and other water resources
- ❖ Why only rain should enter storm drains
- ❖ Stormwater pollution prevention
- ❖ Water quality
- ❖ Health of aquatic ecosystems
- ❖ The connections between people, wildlife habitat, and our drinking water

Deadline

The deadline for artwork submission is **March 18, 2022**.

Winner Selection

Two winning designs will be selected by April 1, 2022. Winner selection will be based on artistic quality, creativity, reproducibility, and how well the design communicates the importance of protecting our waterways. The two winners will be awarded a free guided river tour led by Adventure Outpost, and interpretations of their artwork will be reproduced on storm drain inlets near the entrance of the new parking area at Sweetwater Preserve on SE 16th Ave. in Gainesville. The completed murals will be unveiled to the public at an event in 2022.

Submission Details and Guidelines

- Read [FAQs](#) first!
- Please submit the original artwork. Photos or scans will not be accepted.
- Please complete the attached [entry form](#). Entries with incomplete information may be disqualified.
- Your completed entry form and artwork can be mailed or delivered to:

Alachua County Environmental Protection Department
Attn: Storm Drain Art Contest
408 W. University Ave, Suite 106
Gainesville, FL 32601

- Artists must utilize the [templates](#) available on the **Alachua County Storm Drain Art Contest web page**.
- One entry per artist (artists can select to provide an entry for each template A and B).
- All designs must be original.
- No three-dimensional submissions or designs that require objects to be attached to storm drains.
- Please limit your color palette to a maximum of 7-8 colors.

For more information, contact Haley Cox at hcox@alachuacounty.us or **352-264-6825**



Artwork by Deanna Derosia (2020). Indian River County, Florida.

Frequently Asked Questions

1). Can my design include ocean imagery or depictions of marine habitats or species?

Answer: No. This contest was created to highlight stormwater issues specific to Alachua County. Although storm drains in coastal regions often lead to the ocean, much of Alachua County's stormwater is channeled into creeks. Since we do not live in a coastal county, oceans and marine life are not appropriate subjects.

2). Can photographs or three-dimensional artwork be submitted?

Answer: No, these submittals will not be accepted. Designs must be sketched, painted, etc. and fit within the template shape provided. No 3-D components will be attached to the inlet, sidewalk, or curb.

3). How will my design be painted on the inlet?

Answer: An interpretation of your design will be reproduced by a contracted professional.

4). Can I sign my artwork?

Answer: Signatures are optional. If your design is selected to be reproduced on one of the storm drains at Sweetwater Preserve, you will have the opportunity to sign the completed mural when the artwork is unveiled to the public.

5). Why can't I use more than seven or eight colors?

Answer: Utilizing a limited color palette is more cost effective and enhances color harmony. Please note that brighter/bolder colors will likely be more visible on the inlet structure.

6). How long will my design be visible?

Answer: For as long as the paint lasts! We will be using a special type of mineral paint designed to achieve a long-lasting finish on exterior surfaces, concrete, and masonry. Your artwork will likely be on display for years!

Contest Entry Form

Deadline for artwork is Friday, March 18, 2022

The information below will be used to contact you if your artwork is amongst the winners. Please print neatly.

Artist First Name: _____

Artist Last Name: _____

Address: _____

Apartment Number: _____ City: _____

State: _____ Zip/Postal Code: _____

Email Address: _____

Phone Number: _____

Please note: contact information for artist will need to be provided if artwork is amongst the winners.

If under 18, please provide:

Parent/Guardian Name:

Email Address: _____

Phone Number: _____

All participants: Please check boxes below.

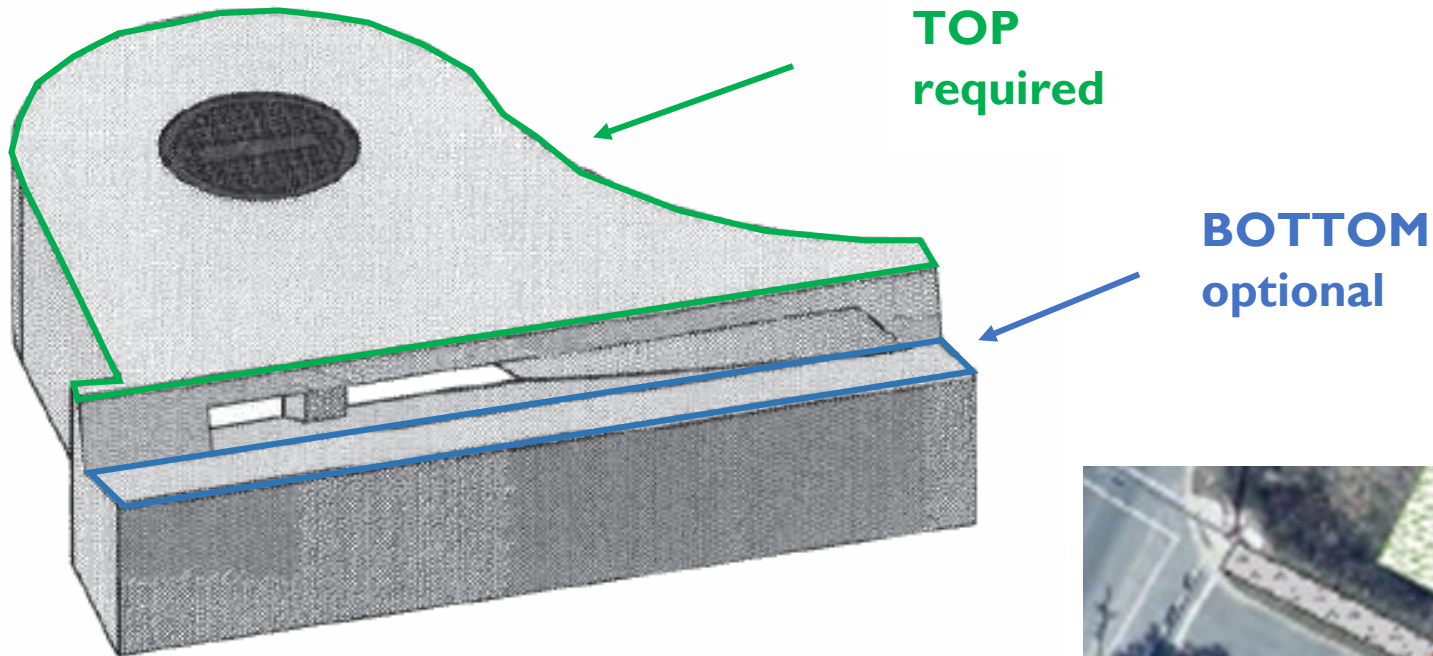
- I attest that I meet the eligibility requirements outlined in the contest guidelines.
- I certify that this artwork is my own and that reproduction will not violate the rights of any third party.
- I understand that this artwork will become the property of Alachua County and may be displayed publicly.
- I understand that my name and artwork may appear in media releases and may be used in future promotions for water quality protection and education.

Deadline for artwork is Friday, March 18, 2022

Storm Drain Artwork Template

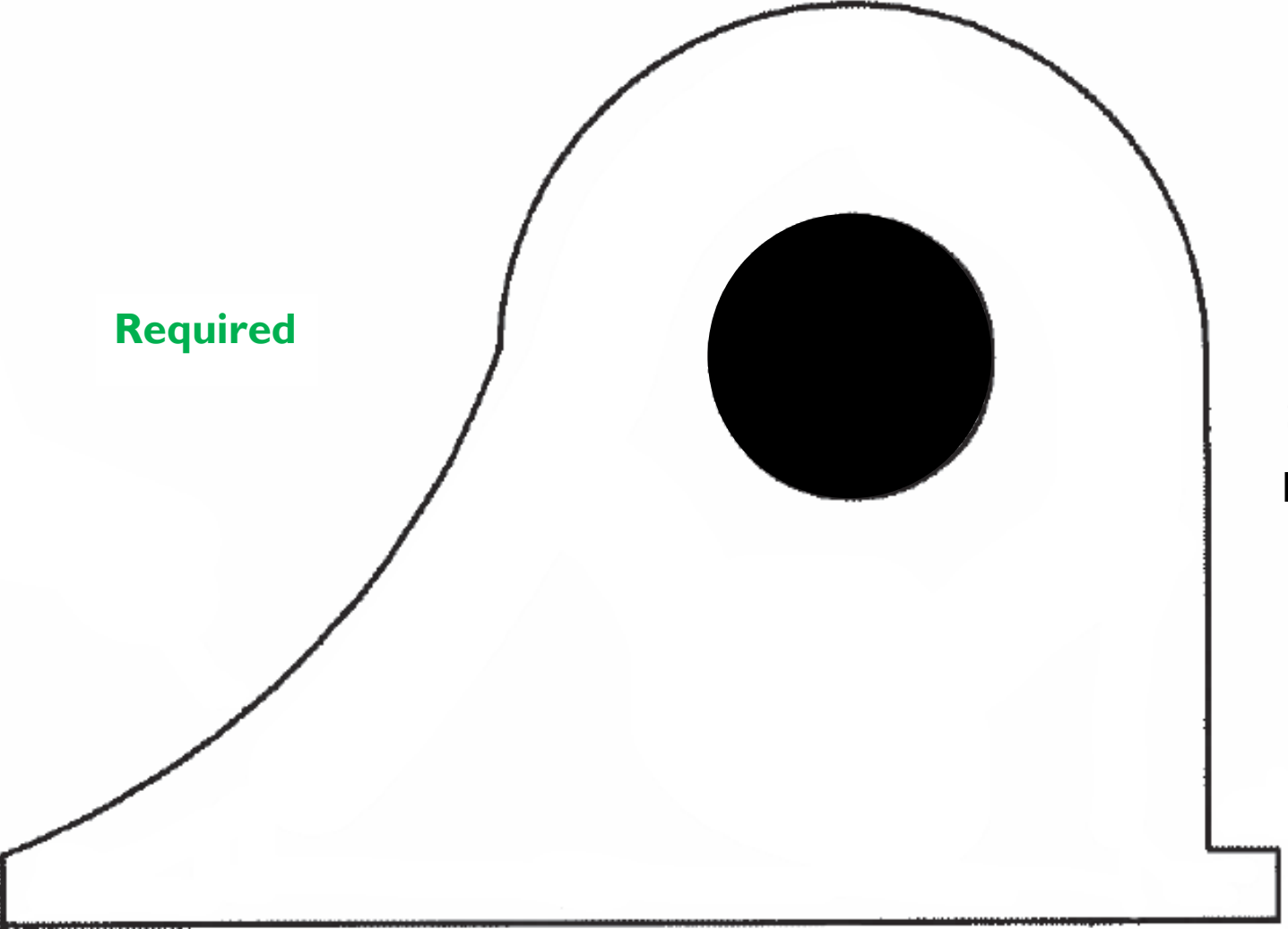
Below is a schematic of what the storm drain looks like installed. **Please use the template provided on the next page to create your artwork.** The “top” portion of the storm drain is required. The “bottom” portion is optional.

We will have both a “right” and “left” storm drain – **you may provide a design for either OR both orientations.** Also, please note how pedestrians will approach the storm drain as shown on the site sketch below and on the template. This will allow you to adjust the orientation of your artwork accordingly.

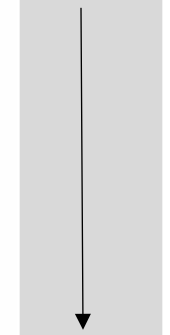




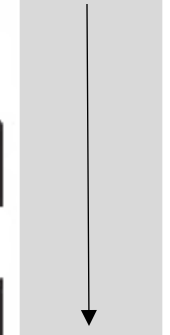
Sidewalk/Multi-use Path



Required



Sidewalk
Multi-use
Path

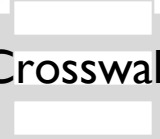


Optional



Roadway

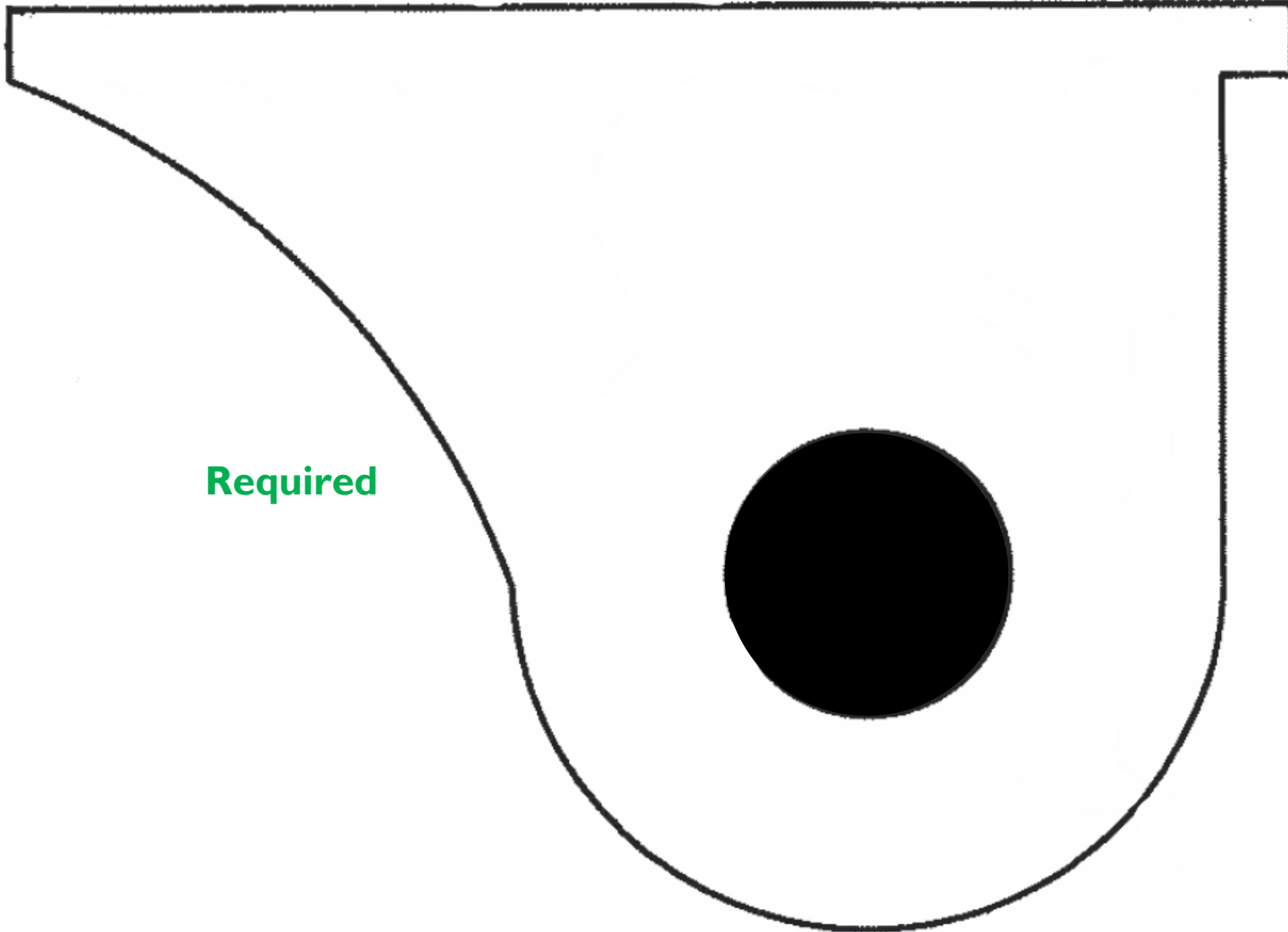
Crosswalk



Roadway

Crosswalk

Optional



Required

Sidewalk
Multi-use
Path

